

# GOLDAIR

## Operating Instructions

### 30cm Vintage Desk Fan



Item: GCRDF310

# General Care and Safety Guide

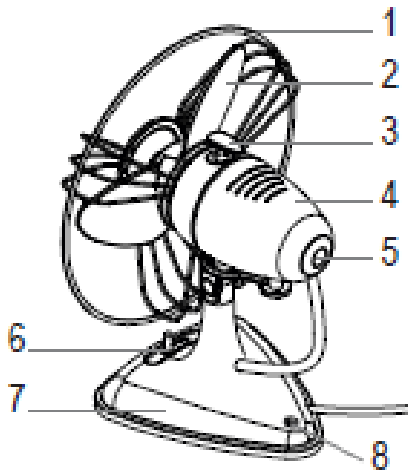
**Thank you for choosing this Goldair product. This Goldair appliance has been designed and manufactured to high standards of engineering and with proper use and care, as described in this leaflet, will give you years of useful service. Please read these instructions carefully and keep them for future reference.**

1. Use only the voltage specified on the rating plate of the appliance.
2. Keep all objects at least 1 metre from the front, sides and rear of the appliance
3. This appliance is intended for household use only and not for commercial or industrial use.
4. Use this appliance only as described in this manual. Any other use is not recommended by the manufacturer and may cause fire, electric shock or injury.
5. The common cause of overheating is deposits of dust or fluff in the appliance. Ensure these deposits are removed regularly by unplugging the appliance and vacuum cleaning the air vents and grills.
6. Always unplug appliance when not in use.
7. When the appliance has been unpacked, check it for transport damage and ensure all parts have been delivered. If parts are missing or the appliance has been damaged, contact the CDB Customer Services Team.
8. If your appliance does not work, or is not working properly, contact the place of purchase. Repair work on the appliance by unqualified persons can cause serious risk to the user.
9. Ensure hands are dry before handling the plug or the main unit.
10. Carry out regular checks of the supply cord to ensure no damage is evident.
11. Children should be supervised to ensure that they do not play with the appliance.
12. Ensure that the cord is fully extended (not coiled) while in use.
13. Avoid contact with the moving parts. Keep hands, hair, clothing, away from blade of the fan during operation to reduce the risk of injury to person and/or damage to the unit.
14. Switch off and use handles provided when moving.
15. This appliance is not intended for use by persons (including children) with reduced physical, sensory or mental capabilities or lack of experience and knowledge, unless they are supervised or have been given instruction concerning the use of the fan by a person responsible for their safety.
16. It is recommended that this fan is plugged directly into the wall socket.
17. A correctly specified, undamaged extension cord may be used with this fan provided it is used in a safe manner.
18. Never place appliance close to radiant heat source.
19. Never operate in areas where petrol, paint or other flammable liquids are used or stored.
20. Never use the appliance to dry clothes.
21. Never insert or allow foreign objects to enter any ventilation or exhaust opening, as this may cause an electric shock, fire or damage to the appliance.
22. Never use abrasive cleaning products on this appliance. Clean with a damp cloth (not wet) rinsed in hot soapy water only. Always remove plug from the mains supply before cleaning.
23. Never connect the appliance to mains supply until completely assembled and adjusted.
24. Never remove plug from power socket until the appliance has been switched off.
25. Never remove plug from power socket by pulling cord – always grip plug.
26. Never twist, kink or wrap the cord around the appliance, as this may cause the insulation to weaken and split. Always ensure that all cord has been removed from any cord storage area and is unrolled before use.
27. Never use this appliance in the immediate surrounds of a bath, a shower, or a swimming pool or other liquids. The appliance must not be immersed in any liquids.
28. Due to the risk of injury, never use this appliance for any purpose other than its intended use. This appliance is intended for use in household and similar applications such as staff kitchen areas in shops, offices and other working environments; farm houses, by clients in hotels, motels, bed and breakfast type environments and other residential type environments
29. Never use this appliance outdoors.
30. Never operate the appliance with a damaged cord or plug, after it malfunctions, or if it has been damaged in any manner. Have the appliance checked and repaired by a qualified electrician if repair is necessary. If the supply cord is damaged, it must be replaced by the manufacturer, its service agent or similarly qualified persons in order to avoid a hazard.
31. Never place the unit in wardrobes or other enclosed spaces as this may cause fire hazards.

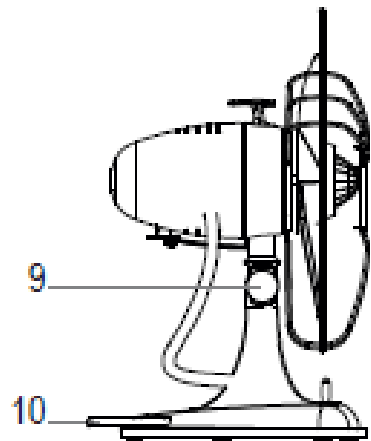
## TECHNICAL SPECIFICATION

Model:	GCRDF310
Supply:	220 - 240VAC 50-60Hz
Wattage:	35W

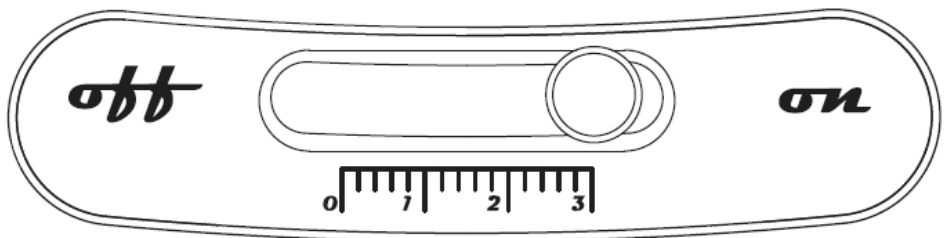
# Components



1. Grid
2. Blades
3. Decoration
4. Motor
5. Oscillation button



6. On/Off/Speed switch
7. Base
8. Decorative hole
9. Head tilt knob
10. Cable



# Operating your Fan

Always choose a safe location for the fan, keeping in mind the safety precautions outlined. This fan is already fully assembled for your convenience. Ensure all packaging has been removed from the unit before use. This appliance requires no installation, it should be used solely as a portable appliance.

**WARNING** Keep all objects at least 1 metre from the front, sides and rear of the appliance

## Fan control switch

The control switch positions are:

- 0 = Off
- 1 = Low speed
- 2 = Medium Speed
- 3 = High Speed

**IMPORTANT! NEVER COVER THIS APPLIANCE!**

**DO NOT HANG THE FAN! FOR TABLE USE ONLY!**

Place the fan on a dry, level and sturdy surface.

Plug the power cord into the socket, making sure the speed control is in the off position.

To operate the fan, slide the control switch into position 1, 2 or 3, until desired wind speed is achieved.

Adjust tilt by loosening the head tilt knob and tilting to the desired wind direction (i.e. Either upward or downward). Re-tighten the knob to fix the position.

To activate the oscillation function, push down the oscillation button on the back of the motor. The fan will then oscillate until the button is pushed again.

**WARNING:** This fan is fitted with soft blades which are safe, even if you touch them when the product is working, however, it is recommended to turn the product off before moving, adjusting or cleaning.

# Cleaning

To avoid risk of electric shock, before cleaning, you **MUST ALWAYS** switch off and unplug the fan before cleaning.

Use only a soft, damp cloth to gently wipe the fan and dry well.

Do not immerse the fan in water and never allow water to enter the motor housing.

Do not use harsh chemicals to clean the fan.

## PROOF OF PURCHASE

To receive warranty retain receipt as proof of purchase. (Refer to back of booklet).

# GOLDAIR

## SUPPORT AND TECHNICAL ADVICE

**Goldair – New Zealand**  
Monday – Friday 8am-5pm  
Phone +64 (0)9 917 4000  
Phone 0800 232 633  
info@cdb.co.nz

**Goldair – Australia**  
Monday – Friday 8am-5pm  
Phone +61 (0)3 9365 5100  
Phone 1300 465 324  
info@cdbgoldair.com.au

## One Year Warranty

Thank you for purchasing this Goldair product. Your product is warranted against faults and manufacture when used in normal domestic use for a period of **one year**. In non-domestic use Goldair limits the voluntary warranty to **three months**.

Goldair undertake to repair or replace this product at no charge if found to be defective due to a manufacturing fault during the warranty period.

This warranty excludes damage caused by misuse, neglect, shipping accident, incorrect installation, or work carried out by anyone other than a qualified electrical service technician.

PLEASE KEEP YOUR RECEIPT AS THIS WILL HELP VERIFY YOUR WARRANTY.

The benefits to you given by this warranty are in addition to other rights and remedies available to you under a law in relation to the goods or services to which this warranty relates.

In Australia, our goods come with guarantees that cannot be excluded under the Australian Consumer Law. You are entitled to a replacement or refund for a major failure and compensation for any other reasonably foreseeable loss or damage. You are also entitled to have the goods repaired or replaced if the goods fail to be of acceptable quality and the failure does not amount to a major failure.

In New Zealand this warranty is additional to the conditions and guarantees of the Consumers Guarantee Act (1993).

### Goldair – New Zealand

CDB Goldair  
PO Box 100-707  
N.S.M.C  
Auckland, 0745

Phone +64 (0)9 917 4000  
Phone 0800 232 633  
[www.goldair.co.nz](http://www.goldair.co.nz)

### Goldair – Australia

CDB Goldair Australia Pty  
PO Box 574  
South Morang  
Victoria, 3752

Phone +61 (0)3 9365 5100  
Phone 1300 GOLDAIR (1300 465 324)  
[www.goldair.com.au](http://www.goldair.com.au)

### Goldair One Year Warranty (IMPORTANT: Please complete and retain this warranty card)

Name \_\_\_\_\_

Address \_\_\_\_\_

Place Of Purchase \_\_\_\_\_ Date of Purchase \_\_\_\_\_

Name Of Product \_\_\_\_\_ Model Number \_\_\_\_\_

Attach a copy of the purchase receipt to this warranty card